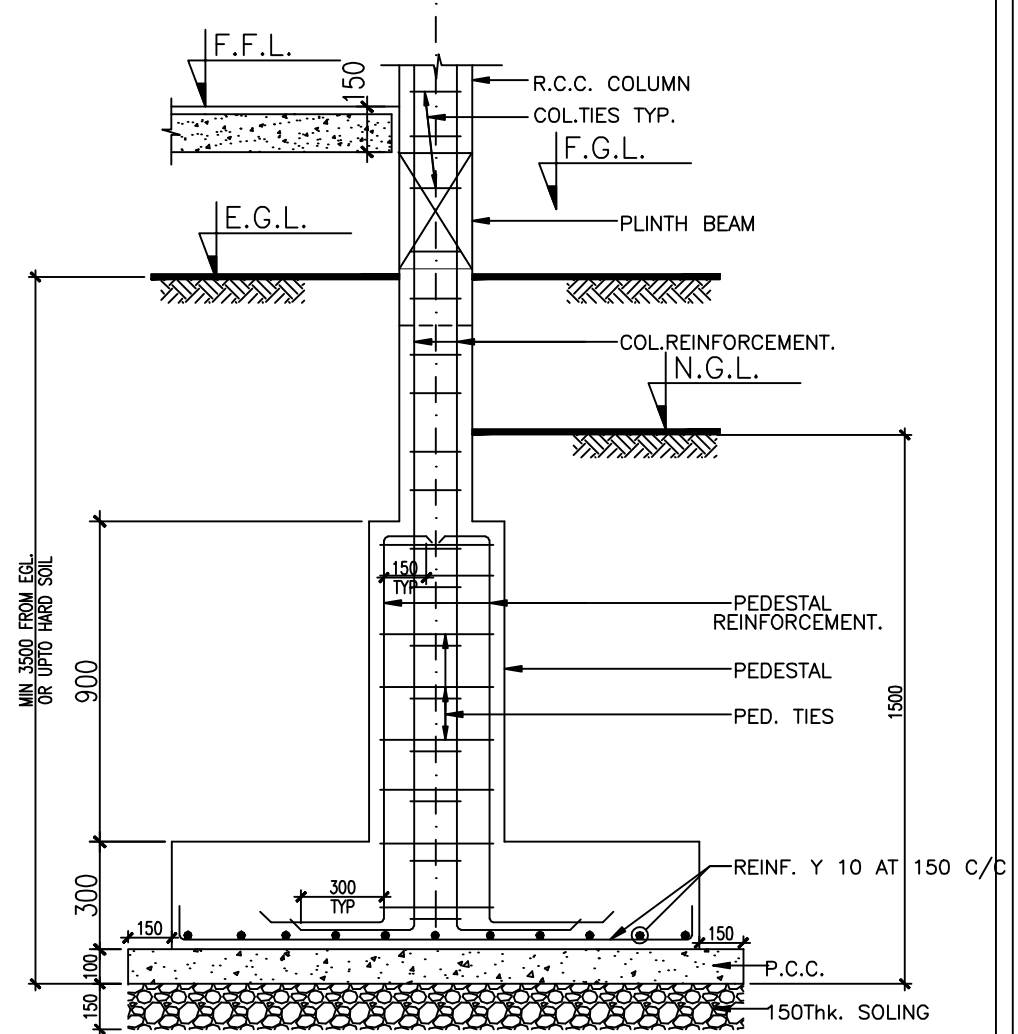
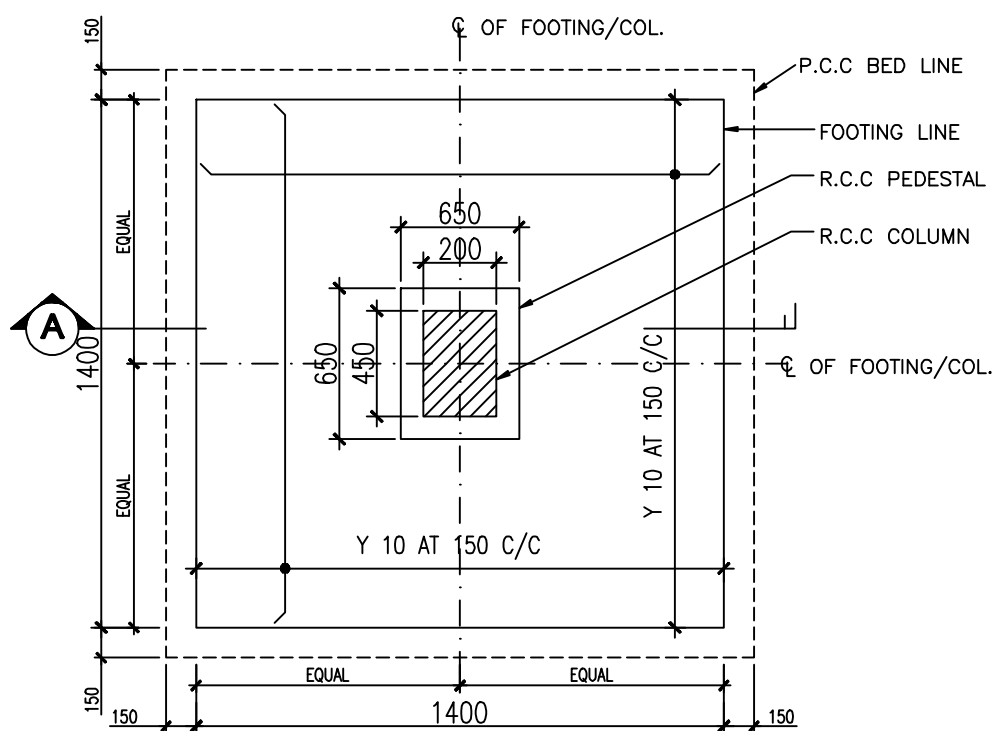


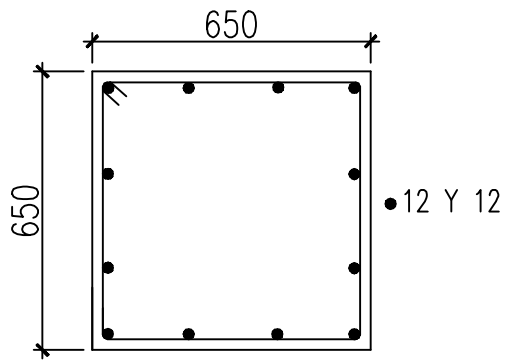
EXCAVATION LAYOUT
SCALE 1:100



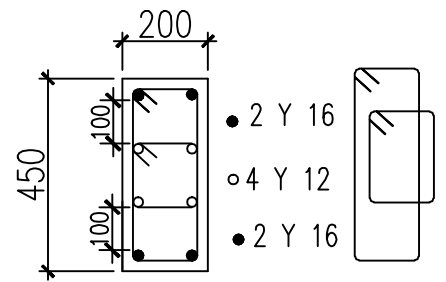
SECTION - A



TYPICAL FOOTING DETAIL



TIES: Y 8 AT 200 C/C.
PEDESTAL P1 (650X650)
FOR COLUMNS 200X450



TIES: Y 8 AT 200 C/C.
COLUMN C1 (200X450)
SCALE 1:20